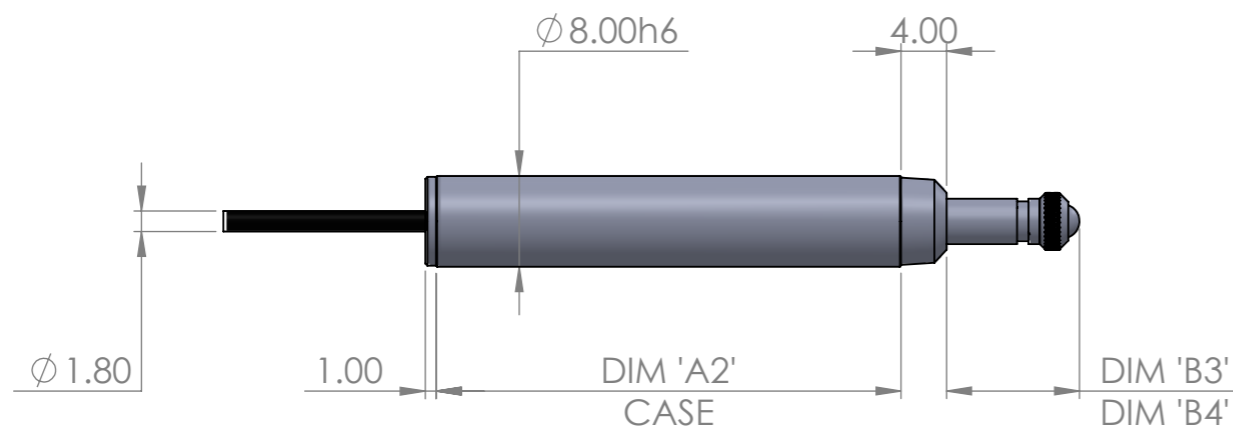


DSP/2-5/S Ø1.80 CABLE - TIP Ø3.00 SHORT REACH			
MEASUREMENT RANGE	2.00	4.00	5.00
CASE LENGTH DIM 'A1'	35.00	41.00	53.00
FULLY EXTENDED DIM 'B1'	13.00	15.80	18.00
PRE TRAVEL	0.15	0.15	0.15
POST TRAVEL	0.45	0.85	0.85
FULLY RETRACTED DIM 'B2'	10.40	10.80	12.00



DST/2-5/S Ø1.80 CABLE - TIP Ø3.00 SHORT REACH			
MEASUREMENT RANGE	2.00	4.00	5.00
CASE LENGTH DIM 'A2'	35.00	41.00	53.00
FULLY EXTENDED DIM 'B3'	9.00	11.80	14.00
PRE TRAVEL	0.15	0.15	0.15
POST TRAVEL	0.45	0.85	0.85
FULLY RETRACTED DIM 'B4'	6.40	6.80	8.00



STEYNING WAY • BOGNOR REGIS • SUSSEX • ENGLAND • PO22 9ST

DRAWING NUMBER
540002-425

TITLE
**DSP/2-5/S, DST/2-5/S
Ø1.80 CABLE SHORT REACH TIP**

E.D.C.R.

XXXXX

ISSUE

1

SOLARTRON PURSUES A POLICY OF CONTINUOUS DEVELOPMENT. SPECIFICATIONS IN THIS DOCUMENT MAY THEREFORE BE CHANGED WITHOUT NOTICE. DIMENSIONS ARE NOMINAL AND SPECIFIED IN MILLIMETRES